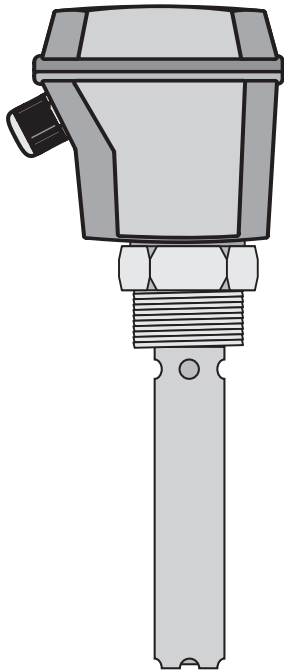


TruLevTrans Liquid Level Transmitter

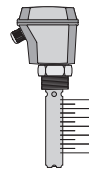


Dielectric compensated option

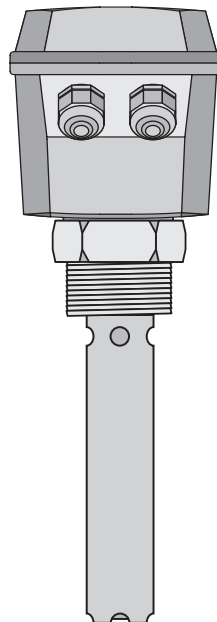


special probes in along with special dielectric equalizing software available on demand for liquid quality/property independent level indication

Calibration-less option



Dielectric compensated probes can be supplied pre-calibrated on demand, for a specific liquid



Fast level to mA response (< 1 sec)

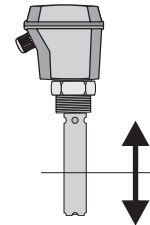
Fast installation

Fluctuation free 4-20mA output

ModBus (RTU) available

2-wire digital for wiring reduction

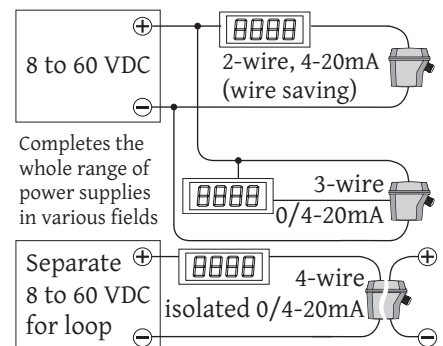
Easy calibration



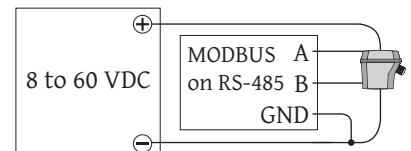
Calibrates at any two levels in 5% steps

Empty to 0% and fill to 100% is not necessary

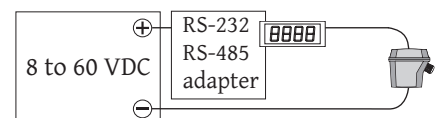
Analog output (2/3/4 wires)



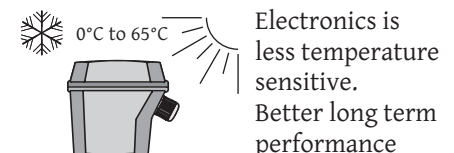
Digital (ModBus RTU)



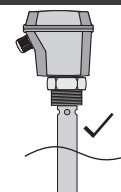
Digital (2-wire 8/12mA pulses)



Temperature stable circuitry



Disturbance immune



Adjustable damping

Allows immunity against fluid fluctuations

TLT : TruLevTrans Liquid Level Transmitter

S : Standard temperature (-20°C to 80°C)

T : Extended temperature (-20°C to 200°C) (excluding Rope type)

PSx : Rod type standard probe (PS2=SS-202, PS4=SS-304, PS6=SS-316)

PDx : Dielectric compensation probe (PD2=SS-202, PD4=SS-304, PD6=SS-316)

PRx : Rope Type (PRM= Armored Cable, PRF=with Fiber Coating)

RTx : Reference still-tube (RT2=SS-202, RT4=SS-304, RT6=SS-316)

RRx : Reference rod probe (RR2=SS-202, RR4=SS-304, RR6=SS-316)

Ix : Insulation (IT=PTFE, IN=Nylon, IV=PVC (for acids))

Bx : BSP Screw Mounting (B1=1", B4=1¼, B2=1½")

Nx : NPT Screw Mounting (N1=1", N4=1¼, N2=1½")

FL : Flanged Mounting (specify ASA, ANSI, JIS, DIN, Custom)

A2 : Analog (4-20mA) 2 Wire

A3 : Analog (0/4-20mA) 3 Wire

A4 : Analog (0/4-20mA) 4 Wire (Isolated electrical o/p)

D4 : Digital ModBus RS-485 (8 bit address selectable)

D2 : Digital 2-wire (8/12mA pulse) (adapter* required)

Lxxxx : Probe Length

(100mm to 3500mm for Rod)

(400mm to 30000mm for Rope)

+ material and type of flange and housing are required to be specified after the order-code

* EIA RS-485/RS-232/RS-422 Adapter for 2-wire digital is to be ordered separately

Order Code



technologies provides maximum possible customization on all of its products

TruLevTrans: Liquid Level Transmitter

Features

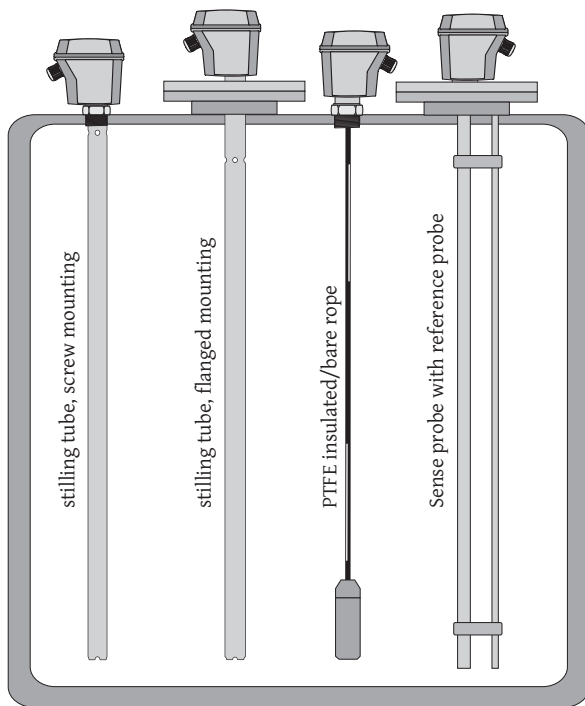
1. Dielectric compensated option in rigid probes
2. Easy calibration (less liquid variation reqd.)
3. Adjustable damping (<1 to 5sec) stable output
4. Screw, flanged & adjustable flanged mountings
5. Flexible rope type available*
6. Electronic inserts in full range
7. Analog/digital 2-wire for wiring cost reduction
8. Ingress protection : IP 65**

Application

TruLevTrans liquid level transmitter is specially made for general liquid level measurement in vessels and containers. Its main application is non-conductive fluids. For conductive fluids full-PTFE insulated probe is required. For abrasive fluids, tolerant coatings are provided.

Applications are lube oil, edible oil, fuel oil, cooling oil, hydraulic oil, diesel, water, acids, chemicals, slurries, non-sticky free flow powders like silica etc.

Typical Mountings & Extensions



Specifications

Option1
Supply Analog 2-wire DC
Output 8 to 60 VDC
Max output load 4 to 20 mA
50 Ohm @ 8V to 2650 Ohm @ 60V
(load includes cable resistance as well)

Option2
Supply Analog 3/4 Wire (4 wire is isolated)
Output 8 to 60VDC
Max output load 0 to 20mA or 4 to 20mA field selectable
50 Ohm @ 8V to 2650 Ohm @ 60V
(load includes cable resistance as well)

Option3
Protocol Digital
Supply ModBus-RTU
Output 8 to 60 VDC
Address EIA RS-485 (RS-422 & RS-232 available)
8-bit Field selectable

Option4
Protocol Digital (2-wire)
Supply (requires 2 wire to RS-485/RS-232 adapter)
Output ModBus-RTU (for adapter)
Address 8 to 60 VDC
Max output load 2 wire 8/12 mA pulses
66 Ohm@ 8VDC to 4416 Ohm @12VDC
(load includes cable resistance as well)

Ambient Temp. -20°C ... 65°C (-4°F ... 149 °F)
Process Temp. -20°C ... 80°C (-4°F ... 176 °F)
Extended Process -20°C ... 200°C (-4°F ... 392 °F)
Temperature (extension required)
Process Pressure absolute / max. 15 bar

Wetted Parts SS 316 or SS 304
Wetted Coatings PTFE, Nylon, PVC
(reqd. for abrasive/conductive fluids)

Housing Cast Aluminum
Stainless Steel SS-304 /SS-316
Plastic PVDF / HDPE

Mountings NPT / BSP 1", 1¼", 1½" & Flanged
ANSI/JIS/DIN/ASA/custom

Extensions Tube SS 316, SS 304 or SS 204
Material & Length 100mm to 3,500mm

Flexible Rope Armored, Fiber Coated Armored
Material & Length 400mm to 30,000mm

* Dielectric compensation is available for rigid probe, non-conductive fluid applications only
**Certification under process
Specifications are subject to change without prior notice

Trumen

sensing matters

Trumen Technologies Pvt Ltd

LG 13 Sundaram Complex, Bhanwarkuvan Main Roan, Indore, MP, 452004 India

Phone: +91-731-656 2425

email: sales@trumen.in website: www.trumen.in